

# RM5502K 55" Interactive Flat Panel



## Features

### EZWrite 5

BenQ's EZWrite 5 is the leading annotation solution for interactive and collaborative classroom scenarios. EZWrite's cloud features make it easy for teachers to save files to their personal cloud storage and then access them in any classroom. It also streamlines classroom discussions by making it smoother than ever for teachers and students to share ideas, notes, and opinions as if they are annotating on the same whiteboard regardless of where they are. EZWrite is a cross platform solution that brings together different devices and Operating Systems so everyone can participate.

### Floating tool

With EZWrite's Floating Tool, teachers can capture screen shots of anything on the screen, including content from apps, websites, and videos from any source. They can then import this content into EZWrite 5 for further discussion and annotation on a brand new page. The Floating Tool is designed to be intuitive and flexible, allowing even the newest user to get the hang of it in seconds, no matter which application or input source they are using.

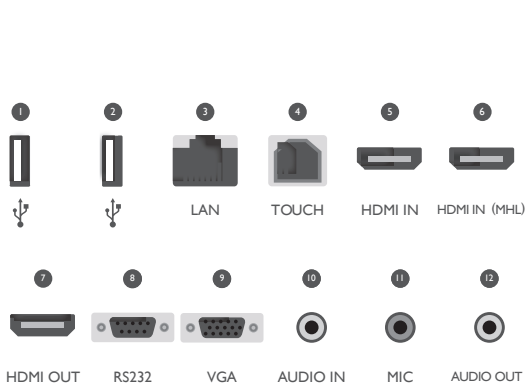
### Eye-Care technology

Eye-Care technology to deliver a zero-flicker viewing experience. The Smart Eye-Care solution can function intuitively with the help of the embedded motion sensor for a smooth and comfortable viewing experience.

### Hassle-free management

An IT manager's dream, BenQ IFP features both DMS and AMS. BenQ Display Management System (DMS) combines Device Info and Management, Apps Management and OTA (Over-the-Air) Update to provide an ultimate device management solution for greater productivity. BenQ Account Management System (AMS) provides personalized workspace that can be accessed by a simple QR code login. This creates convenience for the use and management of various files. Furthermore, this system provides an efficient and convenient way of managing accounts on BenQ IFPs.

## Input and Output Terminals

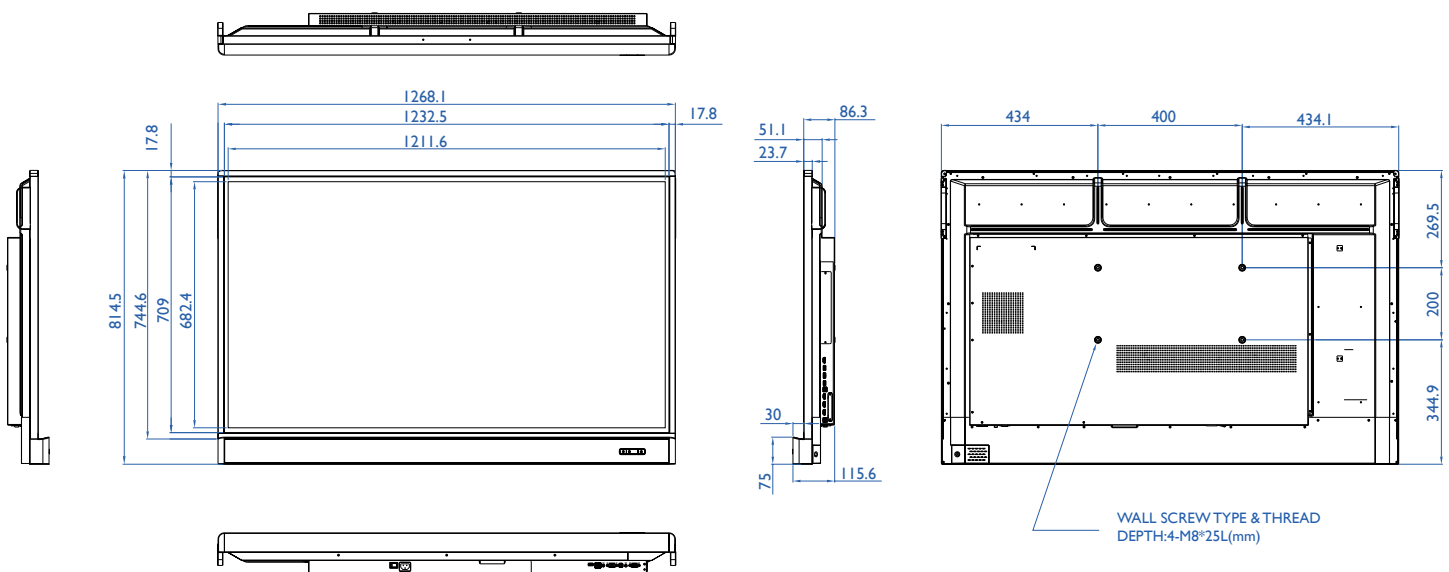


- 1 USB 3.0 X 2**  
Connect USB devices such as USB keyboards, USB mice, and USB flash drives
- 2 USB 2.0 X 2**  
Connect USB devices such as USB keyboards, USB mice, and USB flash drives
- 3 LAN**  
LAN interface, connecting RJ45 terminals. This network port is only used for the closed Android OS on this product.
- 4 TOUCH**  
External computer touch signal input.
- 5 HDMI IN X 3**  
High-definition multimedia interface signal input. Connect to PC with an HDMI output, a set-top-box, or other video devices capable of realizing touch functions.
- 6 HDMI IN (MHL) (2.0)**  
High-definition multimedia interface signal input. Connect to PC with an HDMI output, a set-top-box, or other video devices capable of realizing touch functions.
- 7 HDMI OUT**  
Connect to the display devices with an HDMI input.
- 8 RS232**  
Serial interface, used for mutual transfer of data between devices
- 9 VGA**  
Receive analog RGB signals from an external device (such as a computer).
- 10 AUDIO IN**  
Receive audio signals from an external device.
- 11 MIC**  
Connect to a microphone.
- 12 AUDIO OUT**  
Connect to an earphone.

# Specifications

|                   |                               |                                  |                        |  |
|-------------------|-------------------------------|----------------------------------|------------------------|--|
| Panel             | Screen Size                   | 55"                              |                        |  |
|                   | Resolution                    | 3840 × 2160                      |                        |  |
|                   | Brightness (Typ.)             | 350                              |                        |  |
|                   | Contrast Ratio (Typ.)         | 5000 : 1                         |                        |  |
|                   | Viewing Angle (H/V)           | 178 / 178                        |                        |  |
|                   | Response Time (G-t-G)         | 8.5 ms                           |                        |  |
|                   | Backlight Life (hrs)          | 30,000                           |                        |  |
|                   | Operating Hour                | 18 / 7                           |                        |  |
| Power             | Orientation                   | Landscape                        |                        |  |
|                   | Type                          | Internal                         |                        |  |
|                   | Power Supply                  | 100V~240V, 50-60Hz               |                        |  |
|                   | Power Consumption             | Maximum (W/h)                    | 220W                   |  |
|                   |                               | Typical (W/h)                    | 154W                   |  |
|                   |                               | Standby Mode (W/h)               | <0.5W                  |  |
|                   |                               | Off Mode (W/h)                   | 0W                     |  |
|                   | AC Power Switch               | Yes                              |                        |  |
| Wake up           | VGA / HDMI / LAN              |                                  |                        |  |
| Touch             | Technology, Number of Touches | IR, 20 points                    |                        |  |
|                   | Interface                     | USB × 2                          |                        |  |
| Glass             | Tempered Glass, Hardness      | 3mm, 7H                          |                        |  |
|                   | AG coating                    | AG75                             |                        |  |
| Caring            | Eye-Care Solution             | Eye-Care                         |                        |  |
|                   | Germ-Resistant Screen         | No                               |                        |  |
| Environment       | Operation Temperature         | 0°C ~ 40°C                       |                        |  |
|                   | Operating Humidity            | 10% ~ 90% RH Non-Condensing      |                        |  |
| Connectivity      | Input                         | VGA                              | × 1                    |  |
|                   |                               | HDMI                             | HDMI 2.0 × 3           |  |
|                   |                               | Audio Input                      | × 1 (3.5 mm)           |  |
|                   | Output                        | HDMI                             | × 1                    |  |
|                   |                               | Audio Output                     | × 1 (3.5)              |  |
|                   | USB                           | USB 3.0 × 3                      |                        |  |
|                   |                               | USB 2.0 × 2                      |                        |  |
|                   | RS232                         | Yes                              |                        |  |
| RJ45              | Yes                           |                                  |                        |  |
| Remote Controller | Yes                           |                                  |                        |  |
| Audio             | Internal Speaker              | 16W × 2                          |                        |  |
|                   | Dimension (mm)                | Screen                           | 1268.1 × 814.5 × 115.6 |  |
| Package           |                               | 1428 × 922 × 225                 |                        |  |
| Weight (kg)       |                               | Screen                           | 30,8                   |  |
|                   |                               | Package                          | 41,2                   |  |
| Mechanical        | Bezel Width (mm)              | 17.8 (Top / Side), 87.7 (Bottom) |                        |  |
|                   | Wall Mounting (VESA)          | 400 × 200 mm                     |                        |  |
|                   | (Screw Type /Max. Length)     | M8 × 25 mm                       |                        |  |
|                   | OPS                           | Yes                              |                        |  |
|                   | Pen Tray                      | Yes                              |                        |  |

## Dimension (mm)



**Elementary**  
Technology

Helping schools use technology to deliver better education

call: 0844 357 5197 visit: [elementaryuk.com](http://elementaryuk.com)

