

# Product Specification

## Display

<b>Panel Size</b>	86"
<b>Panel Type</b>	TFT LCD Module with DLED Backlight. IPS
<b>Display Area</b>	H1913.0mm x V1084.0mm
<b>Aspect Ratio</b>	16:9
<b>Resolution</b>	UHD 3840 x 2160 (pixels)
<b>Colours</b>	1.07B colours (10 bit)
<b>Brightness</b>	350 nits (typ.)
<b>Contrast Ratio</b>	1200:1 (typ.) / 5000:1 (DCR)
<b>Response Time</b>	8.0ms
<b>Viewing Angles</b>	H = 178, V=178 typ
<b>Backlight Life</b>	50,000 Hours (Min)
<b>Surface Treatment</b>	Hardness: 7H Anti-glare coating
<b>Bezel</b>	Slim
<b>Orientation</b>	Landscape

## Platform

<b>Processor</b>	ARM Cortex-A73*4 + Cortex-A53*4
<b>RAM</b>	4 GB
<b>Storage</b>	32 GB

## Touch

<b>Type / Tech</b>	Ultra Fine Touch Technology (IR Recognition)
<b>Touch Resolution</b>	32768 x 32768
<b>Touch Point</b>	Windows: 40 points of touch Android: 20 points of touch

# ViewSonic 50 Series

## Input

<b>HDMI</b>	x 3 HDMI 2.0 (3840 x 2160 @ 60Hz, HDCP2.2, HDMI1 with CEC/ARC)
<b>RS232</b>	x 1
<b>OPS</b>	x 1
<b>WiFi</b>	x 1 module slot

## Output

<b>HDMI</b>	x 1(4k @ 60Hz)
<b>Audio</b>	x 1 (Earphone out)
<b>SPDIF</b>	x 1 (Optical)

## LAN

<b>RJ45</b>	x 2
-------------	-----

## USB

<b>Type A 2.0</b>	x 2
<b>Type A 3.0</b>	x 4
<b>Type B</b>	x 2 for touch
<b>Type C</b>	x 1 (DP 1.2, USB 2.0, PD65W, Ethernet 100M)

## Speakers

<b>12W</b>	x 2
<b>16W Subwoofer</b>	x 1

# Product Specification

## Ergonomics

**Wall Mount** 800 mm x 600 mm (VESA®)

**Embedded OS** Android 11

## Bundle Software

**Basic Annotation Software** myViewBoard

**Pro Annotation Software** myViewBoard Whiteboard for Windows  
(Embedded in optional Windows Slot-in PC)

**Wireless Presentation** vCast/myViewBoard Display App

## Special Features

**All in one USB-port** "SMARTPort™ USB to all channels

**Simple LAN sharing** Yes

**between IFP and slot in device**

**Light Sensor** Yes

## Operating Conditions

**Temperature** 0°C to 40°C

**Humidity** 10% ~ 90% RH non-condensing

# ViewSonic 50 Series

## Power

**Voltage** 100 - 240VAC +/- 10% Wide Range

**Consumption** On: 175W (typ)

Off: ≤ 0.5W

## Weight

**Net** 68.4 KG

**Gross** 90.7 KG

## Regulations

cTUVus, FCC/ICES003, Energy Star 8.0, EMC/CE, CB/LVD, GOST-R/EAC, UkrSEPRO, EPEAT, UKCA, EK-EEL, Mexico NOM, Mexico Energy, BSMI, BIS, LBL (Low Blue Light Certification), Flicker Free, Green BOM, RoHS, ErP-Eco, SCIP, REACH, TPCH, Packing waste, CA65, PAIA

## Compatible Slot-in PC

VPC2-O Series / VPC2-O-B Series /  
VPC25-W33-O1-1B / VPC27 W53-O1-1B /  
VPC23-WPO-17 / VPC12-WPO-18

## Dimensions

### Physical

### Packaging

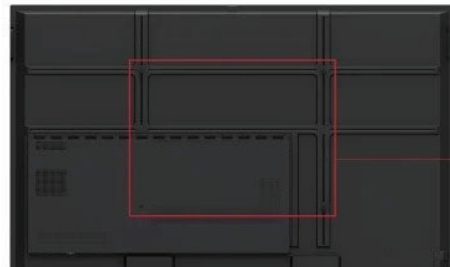
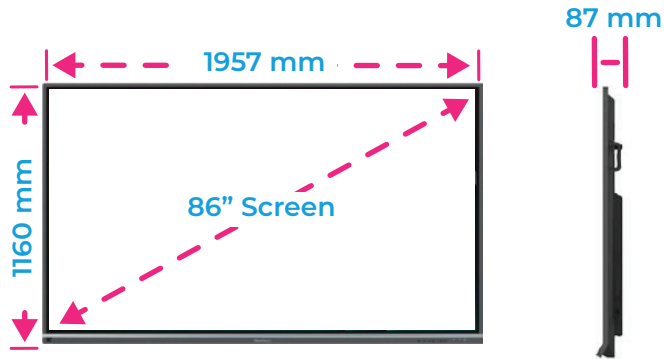
L1957 mm x H1160 mm x D87 mm

L2112 mm x H1283 mm x D280 mm

# Product Specification

## What's in the box?

- Power Cord
- Remote Control with AAA batteries
- Touch USB cable
- Touch Pen x 2
- Quick Start Guide
- Compliance Statement
- RS232 adapter
- Screw x 4
- HDMI cable
- Clamp x 5
- Camera Plate x 1



# ViewSonic 50 Series



Upto 40 points of touch

USB Type-C

2 Speakers & 1 Subwoofer

350 nit brightness

Light Sensor

Dual Band Wi-Fi

Ultra Fine Touch Technology

3840 x 2160 pixels

HDMI

16:9 Aspect Ratio