

# Product Specification

## Display

<b>Panel Size</b>	98"
<b>Panel Type</b>	TFT LCD Module with DLED Backlight. IPS
<b>Display Area</b>	H2171.85 mm x V1232.35 mm
<b>Aspect Ratio</b>	16:9
<b>Resolution</b>	UHD 3840 x 2160 (pixels)
<b>Colours</b>	1.07B colours (10 bit)
<b>Brightness</b>	400nits (typ.) - 450nits (max)
<b>Contrast Ratio</b>	1200:1 (typ.) / 5000:1 (DCR)
<b>Response Time</b>	8.0ms
<b>Viewing Angles</b>	H = 178, V=178 typ
<b>Backlight Life</b>	30,000 Hours (Min)
<b>Surface Treatment</b>	Anti-glare

## Platform

<b>Processor</b>	ARM Cortex-A73*4
<b>RAM</b>	4 GB DDR4
<b>Storage</b>	32 GB

## Touch

<b>Type / Tech</b>	Ultra Fine Touch Technology (IR Recognition)
<b>Touch Resolution</b>	32768 x 32768
<b>Touch Point</b>	Windows: 20 points of touch, 10 writing points

# ViewSonic 50 Series

## Input

<b>HDMI</b>	x 3 HDMI 2.0 (3840 x 2160 @ 60Hz,)
<b>RGB / VGA</b>	x 1
<b>Audio</b>	x 1
<b>RS232</b>	x 1
<b>OPS</b>	x 1 module slot
<b>WiFi</b>	x 1 WiFi slot

## Output

<b>HDMI</b>	x 1 HDMI out 2.0 (3840 x 2160 @ 60Hz)
<b>Audio</b>	x 1 (3.5mm jack)
<b>SPDIF</b>	x 1 (Optical)

## LAN

<b>RJ45</b>	x 2
-------------	-----

## USB

<b>Type A 2.0</b>	x 1
<b>Type A 3.0</b>	x 4
<b>Type B</b>	x 2 for touch
<b>Type C</b>	x 1

## Speakers

<b>16W</b>	x 2
------------	-----

# Product Specification

## Ergonomics

**Wall Mount** 800 mm x 600 mm (VESA®)

**Embedded OS** Android 9

## Bundle Software

**Basic Annotation Software** myViewBoard

**Pro Annotation Software** myViewBoard Whiteboard for Windows  
(Embedded in optional Windows Slot-in PC)

**Wireless Presentation** ViewBoard Cast

## Special Features

**All in one USB-port** "SMARTPort™ USB to all channels

**Simple LAN sharing** Yes

**between IFP and slot in device**

**Light Sensor** Yes

## Operating Conditions

**Temperature** 0°C to 40°C

**Humidity** 10% ~ 90% RH non-condensing

# ViewSonic 50 Series

## Power

**Voltage** 100 - 240VAC +/- 10% Wide Range

**Consumption** On: 192.5W (typ)

Off: ≤ 0.5W

## Compatibility

**RGB PC/HDMI PC** 1920 x 1080

**HDMI** 4K 60Hz / 30Hz / 1080p

## Weight

**Net** 103.6 KG

**Gross** 133.2 KG

## Regulations

FCC / cTUVus / EPEAT / ES8 / LBL / CE / CB / RCM

## Compatible Slot-in PC

VPC12-WPO / VPC25-O-B / VPC27-O-B

## Dimensions

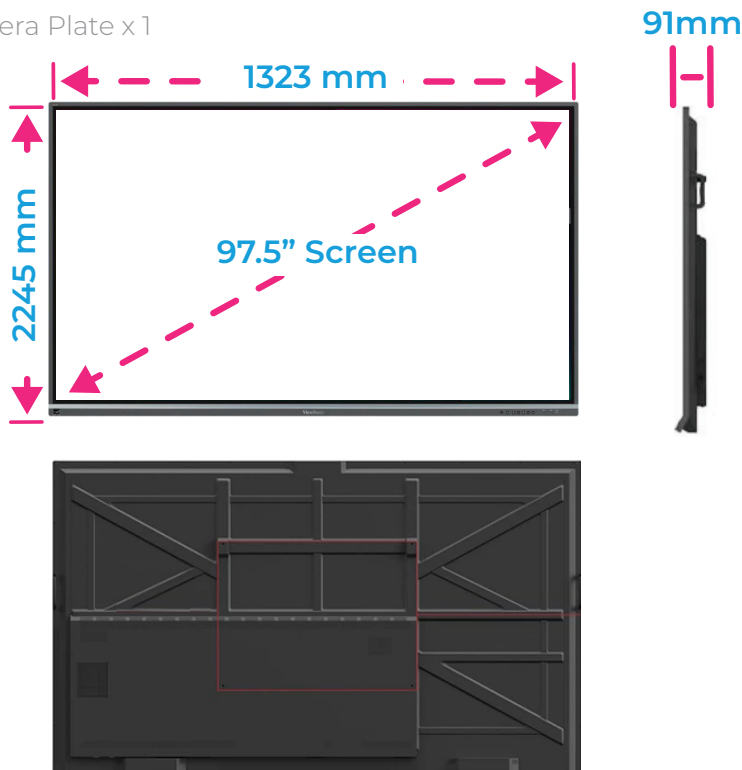
**Physical** L2245 mm x H1323 mm x D91 mm

**Packaging** L2435 mm x H1483 mm x D346 mm

# Product Specification

## What's in the box?

- Power Cord
- Remote Control with AAA batteries
- Touch USB cable
- Touch Pen x 2
- Quick Start Guide
- RS232 adapter
- Screw x 8
- HDMI cable
- USB Type-C cable
- Clamp x 5
- Camera Plate x 1



# ViewSonic 50 Series

