

# ViewSonic 33-G Series

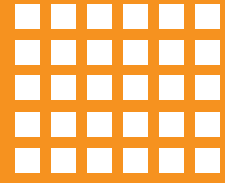
## ViewSonic 33-G Series



40 points of touch




Ultra Fine Touch Technology



3840 x 2160 pixels




16:9 Aspect Ratio



HDMI



VGA




USB Type-C



Two 18W Speakers



450 nit brightness



Light Sensor



Dual Band Wi-Fi

# Product Specification

# ViewSonic 33-G Series

## Display

<b>Panel Size</b>	65", 75", 86"
<b>Panel Type</b>	TFT LCD Module with DLED Backlight. IPS
<b>Display Area</b>	65" - H1428.48 mm x V803.52 mm 75" - H1649.664 mm x V927.936 mm 86" H1913.04 mm x V1083.96 mm

<b>Aspect Ratio</b>	16:9
<b>Resolution</b>	UHD 3840 x 2160 (pixels)
<b>Colours</b>	1.07B colours (8bit+FRC)
<b>Brightness</b>	450 nits
<b>Contrast Ratio</b>	5000:1 (max, with DCR enabled)
<b>Response Time</b>	8.0ms
<b>Viewing Angles</b>	H = 178, V=178
<b>Backlight Life</b>	50,000 Hours (8 hours of use per day)
<b>Surface Treatment</b>	Hardness: 7H Anti-glare coating
<b>Orientation</b>	Landscape

## Platform

<b>Processor</b>	Quad-core ARM Cortex (A55*4)
<b>RAM</b>	8GB DDR4
<b>Storage</b>	128 GB

## Touch

<b>Type / Tech</b>	Ultra Fine Touch Technology
<b>Touch Point</b>	40 points touch

## Output

<b>HDMI</b>	HDMI 2.0 x 1
<b>Audio</b>	x 1
<b>SPDIF</b>	x 1

## Input

<b>HDMI</b>	HDMI 2.0 (3840 x 2160 @ 60Hz) x 3
<b>RGB / VGA</b>	x 1
<b>Audio</b>	x 1
<b>RS232</b>	x 1
<b>OPS</b>	x 1 (Optional Intel Standard OPS)
<b>WiFi</b>	x 1 (Optional VB-WIFI-002/VB-WIFI-004)

## LAN

<b>RJ45</b>	x 2
-------------	-----

## USB

<b>Type A</b>	USB 3.0 x 4 (Front x 2, Rear x 2) USB 2.0 x 1
<b>Type B</b>	x 2 (Front x 1, Rear x 1)
<b>Type C</b>	Front x 1 (PD65W + DP1.2 + Data USB2.0 + 10M/10M sharing)

## Speakers

	18W x 2
--	---------

## Top Camera Plate

	Yes
--	-----

# Product Specification

## Bundle Software

<b>Basic Annotation Software</b>	myViewBoard Whiteboard
<b>Pro Annotation Software</b>	myViewBoard Whiteboard for Windows (Embedded in optional Windows Slot-in PC)
<b>Wireless Presentation</b>	myViewBoard Display
<b>Wireless Presentation with touch Feedback: Viewboard Cast</b>	Yes

## Special Features

<b>All in one USB-port</b>	Front "SMARTPort™ USB to all channels (combine slot-in PC/Android/HDMI USB port)
<b>Simple LAN sharing between IFP and slot in device</b>	10/100M for Android & Slot in PC
<b>Light Sensor</b>	Yes

## Power

<b>Voltage</b>	100V - 240V AC
<b>Consumption</b>	65" - On: 99W Off: ≤ 0.5W
	75" - On: 106W Off: ≤ 0.5W
	86" - On: 154W Off: ≤ 0.5W

# ViewSonic 33-G Series

## Embedded OS

Android 13

## Ergonomics

### Wall Mount (VESA®)

65" - 600 mm x 400 mm  
75" - 800 mm x 400 mm  
86" - 800 mm x 600 mm

## Operating Conditions

### Temperature (°C)

0°C to 40°C

### Humidity

20% ~ 80% RH non-condensing

## Regulations

EMC/CE, CB/LVD, GOST-R / EAC, FAC, RCM, BIS, ECAS, RoHS, REACH, SCIP, WEEE, LBL (Low Blue Light Certification), TPCH, Packing Waste, CA65, Green BOM, ErP-Eco

## Compatible Slot-in PC

VPC35-W53-G1 / VPC37-W53-G1

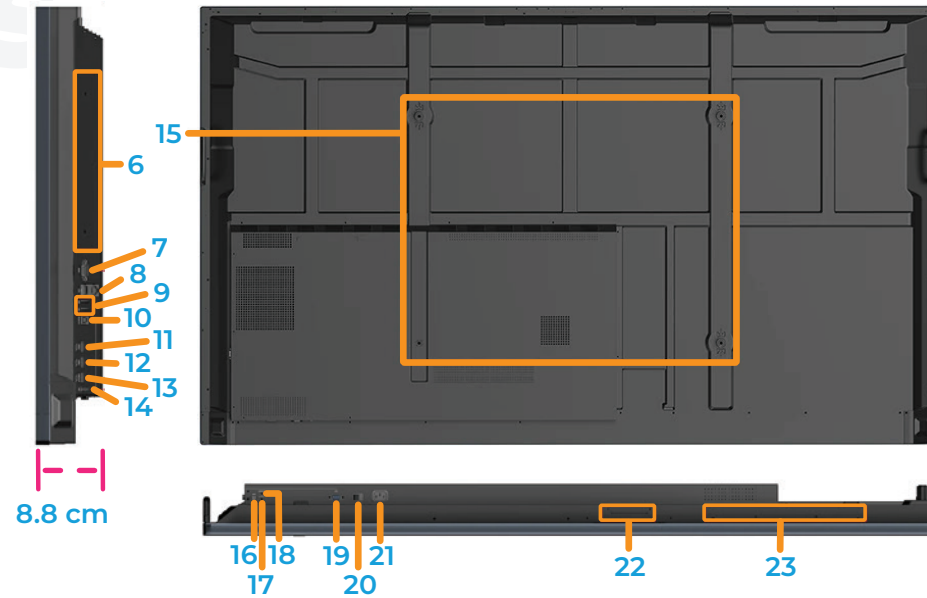
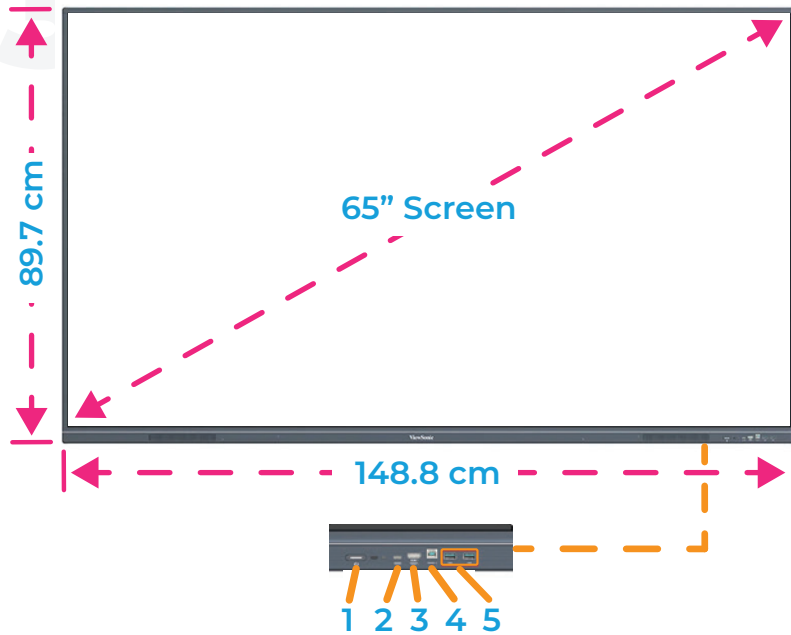
## What's in the box?

- 3m Power Cord
- Remote Control with AAA batteries
- 3m Touch USB cable
- Touch Pen x 2 (VB-PEN-009)
- Quick Start Guide
- Compliance Statement
- RS232 adapter
- Screw x 8 (camera - 2+2, wall mount - 4)
- 3m HDMI cable
- Clamp x 5
- Camera Plate x 1

# Dimensions and Layout

## 65" Size

# ViewSonic 33-G Series



**Packaging Dimensions** 1628 mm x 1005 mm x 208 mm

### Weight

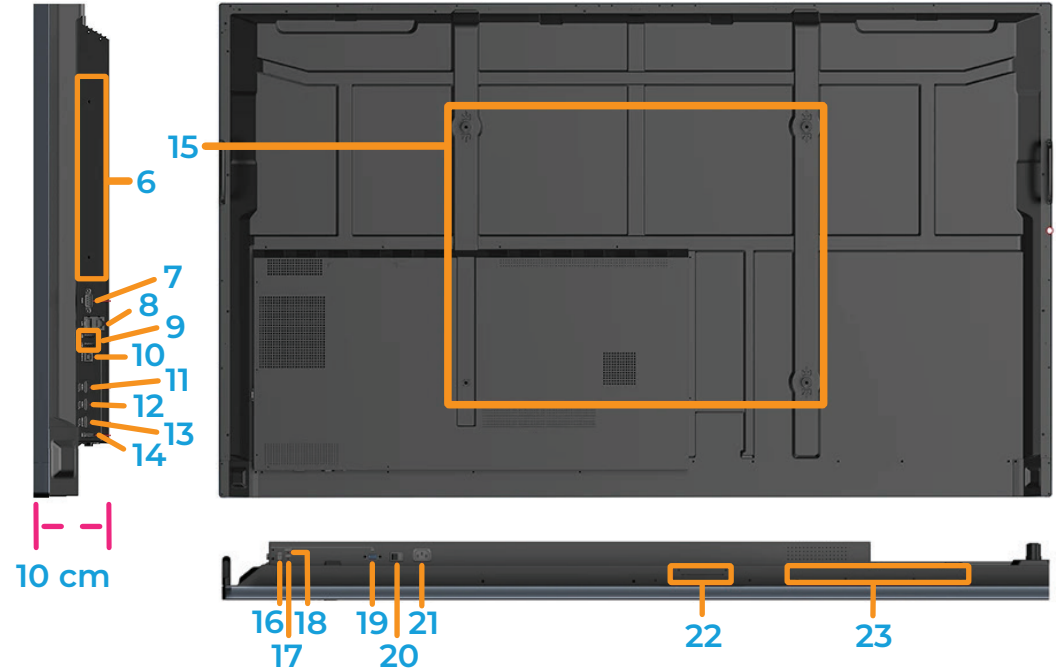
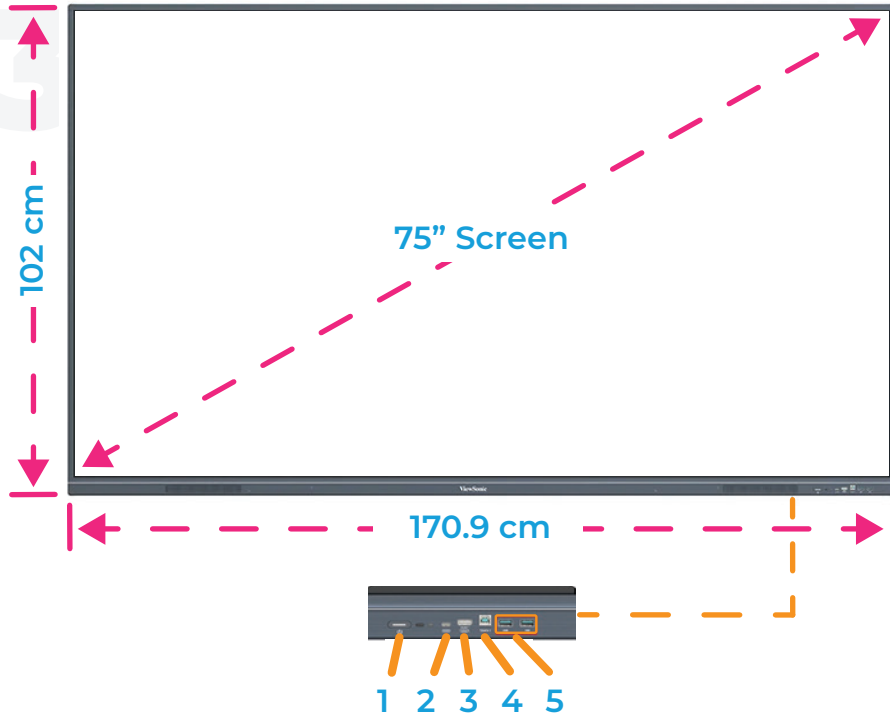
**Gross** 44.7 kg  
**Net** 34.95 kg

- 1. Power On/Off
- 2. USB C
- 3. HDMI 1
- 4. Touch 1
- 5. USB 3.0 x 2
- 6. OPS Slot
- 7. RS-232
- 8. LAN
- 9. USB 2.0 x 2
- 10. Touch 2
- 11. HDMI 2
- 12. HDMI 3
- 13. HDMI Out
- 14. USB
- 15. VESA Wall Mount (800 x 600)
- 16. SPDIF
- 17. Audio in
- 18. Audio out
- 19. VGA
- 20. Power On/Off
- 21. AC in
- 22. Wi-Fi Slot
- 23. Sensor Mount

# Dimensions and Layout

## 75" Size

# ViewSonic 33-G Series



**Packaging Dimensions** 1863 mm x 1140 mm x 225 mm

### Weight

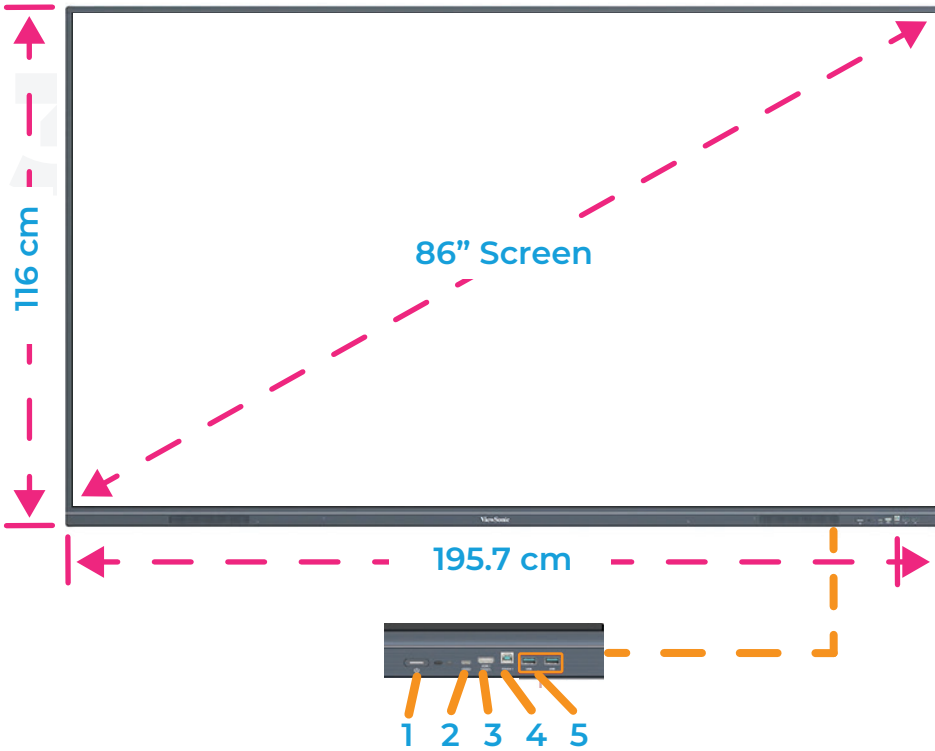
**Gross** 60.55 kg

**Net** 47.3 kg

1. Power On/Off
2. USB C
3. HDMI 1
4. Touch 1
5. USB 3.0 x 2
6. OPS Slot
7. RS-232
8. LAN
9. USB 2.0 x 2
10. Touch 2
11. HDMI 2
12. HDMI 3
13. HDMI Out
14. USB
15. VESA Wall Mount (800 x 600)
16. SPDIF
17. Audio in
18. Audio out
19. VGA
20. Power On/Off
21. AC in
22. Wi-Fi Slot
23. Sensor Mount

# Dimensions and Layout

## 86"

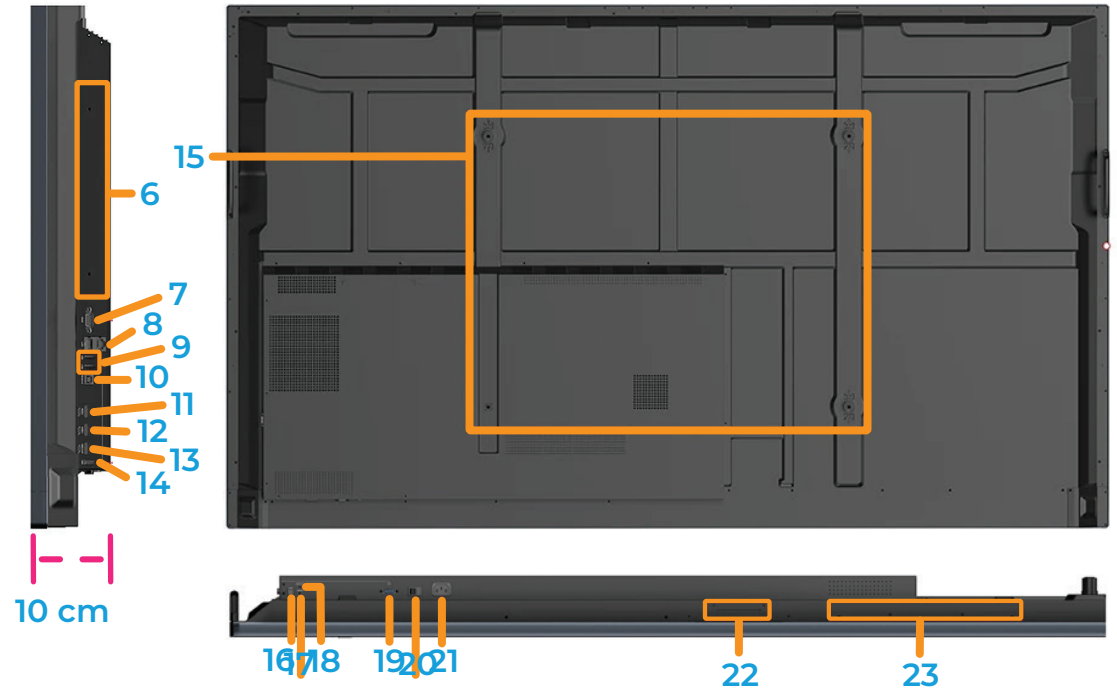


**Packaging Dimensions** 2110 mm x 1283 mm x 225 mm

### Weight

**Gross** 75.9 kg  
**Net** 58.55 kg

# ViewSonic 33-G Series



- 1. Power On/Off
- 2. USB C
- 3. HDMI 1
- 4. Touch 1
- 5. USB 3.0 x 2
- 6. OPS Slot
- 7. RS-232
- 8. LAN
- 9. USB 2.0 x 2
- 10. Touch 2
- 11. HDMI 2
- 12. HDMI 3
- 13. HDMI Out
- 14. USB
- 15. VESA Wall Mount (800 x 600)
- 16. SPDIF
- 17. Audio in
- 18. Audio out
- 19. VGA
- 20. Power On/Off
- 21. AC in
- 22. Wi-Fi Slot
- 23. Sensor Mount